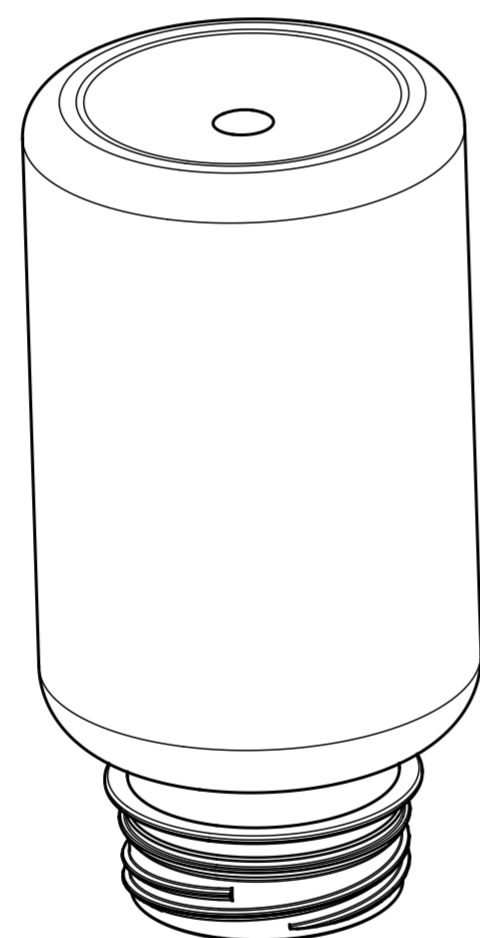
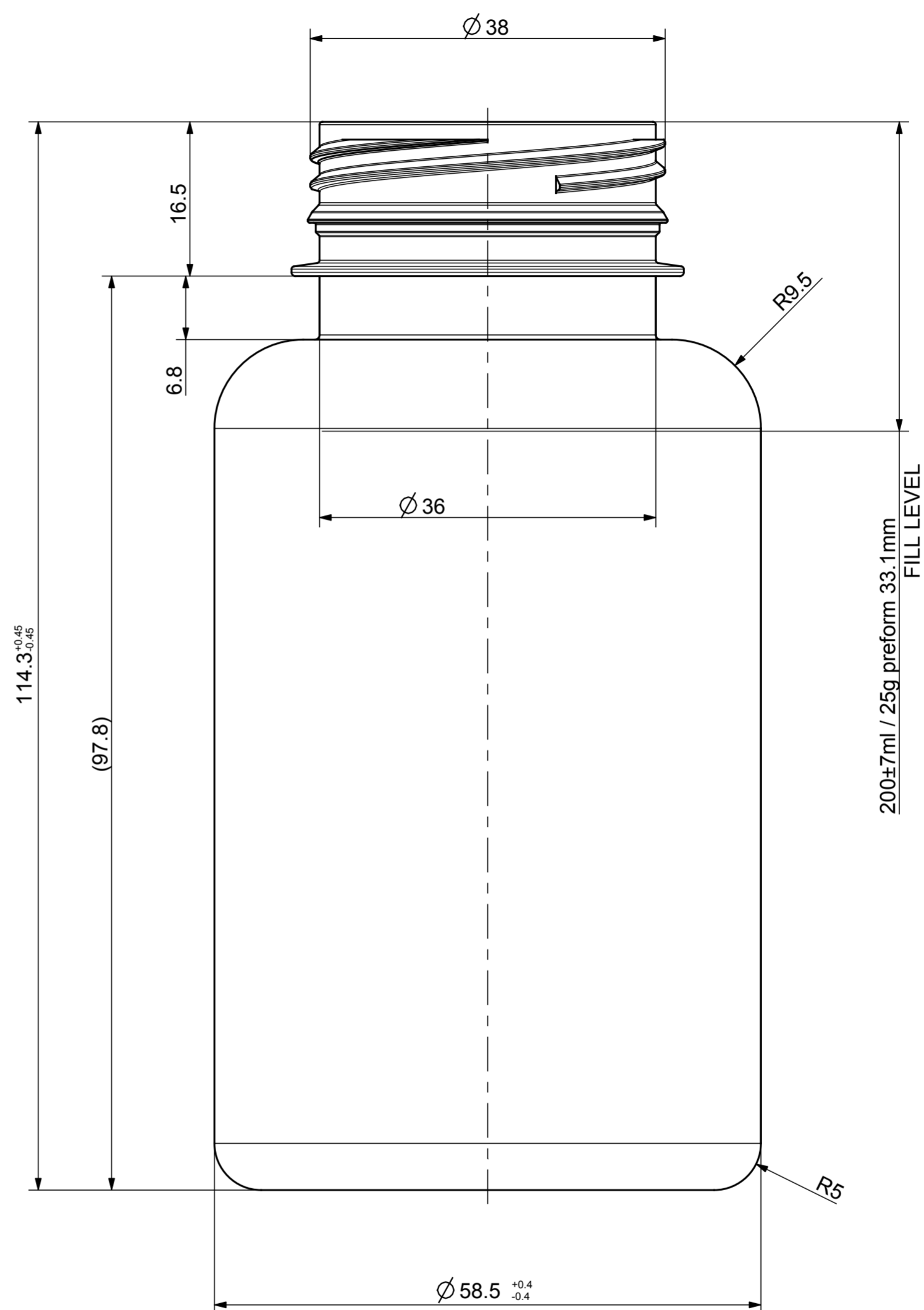




1:1



1:1



| Flakon adatai | | Türésérték | | Preform 1 | Preform 2 |
|----------------------|----------|------------|------|-----------|-----------|
| Volume at fill level | nominal | | [ml] | 200 | |
| Volume at fill level | calc | | [ml] | | |
| Volume brimful | calc | | [ml] | | |
| Volume preform | calc | | [ml] | | |
| Volume botton | calc | | [ml] | | |
| Preform weight | estimate | | [g] | 25 | |

| | | | |
|-------------|-------------|-------------------|--------|
| | Date: | Name: | Scale: |
| Designer | 2014.03.10. | Pataki S. | M2:1 |
| Auditor | | | |
| | Costumer: | Product: | |
| 0946-01-001 | | 200 ml PET Flakon | |
| Version: | | | |

fájl:0946-01-001

format:A2