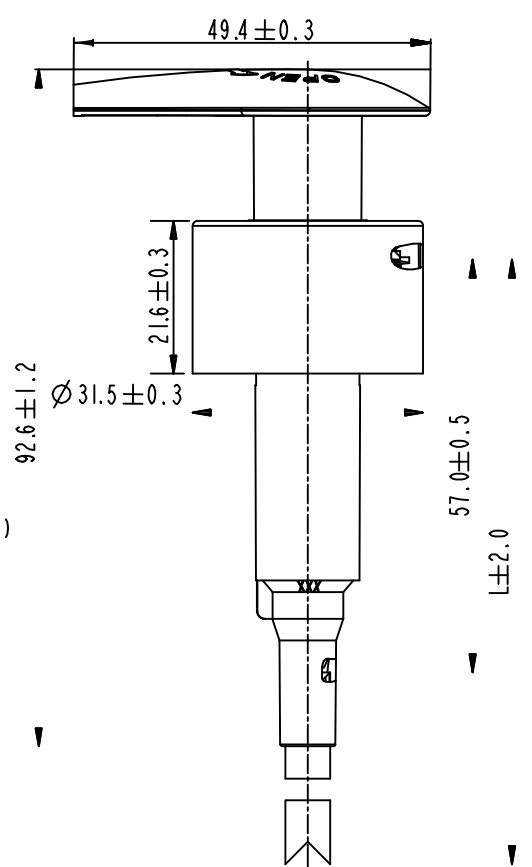
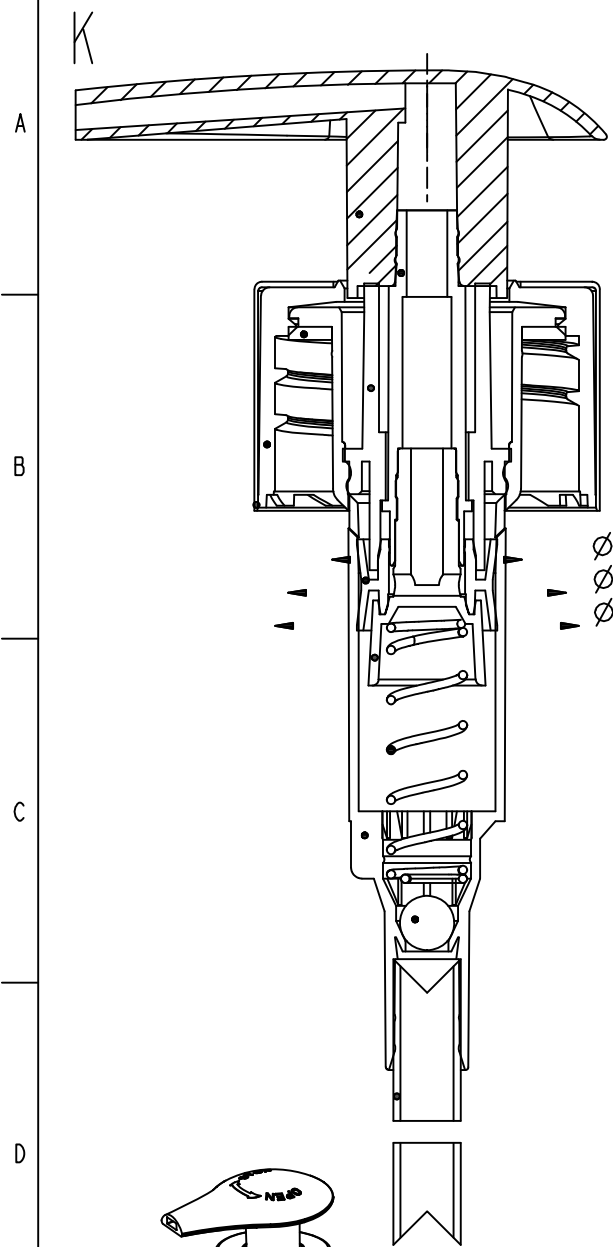
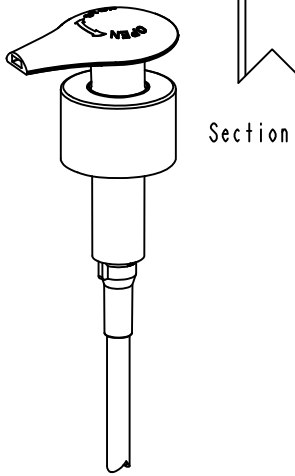


MARK		REVISER	DESCRITRN	DATE



Discharge Rate: 1.20 ± 0.2 ml/T



NO.	Component	Material	Specification	QTY
12	Actuator	PP	Color for order form	1
11	Stem	PP	Natural	1
10	Gasket	PE	$\varnothing 25.5 * 1.2$ thickness	1
9	Switch	PP	Natural	1
8	Closure	PP	Color for order form	1
7	ALU.Closure	AL	Color for order form	1
6	Piston	LDPE	Natural	1
5	Needle	HDPE	Natural	1
4	Spring	SUS304	$\varnothing 0.78 * \varnothing 7.4 * 31.5L * 10.5$ circle	1
3	Housing	PP	Color for order form	1
2	Ball	Glass	$\varnothing 5.0$	1
1	Dip Tube	LDPE	$\varnothing 6.20 * 0.65$ thickness	1

TOLERANCE	0mm-15mm	± 0.05	± 0.10	± 0.50	DRAFTER:	UNIT: mm	MODEL NAME:	TITLE:	
	15mm-30mm	± 0.05	± 0.15	± 1.00					CHECKED:
	30mm-50mm	± 0.10	± 0.20	± 1.50	CENSOR:	SCALE:	VISUAL ANGLE	Q'TY:	REV:
	50mm-99mm	± 0.15	± 0.30	± 2.00		1.5:1	\varnothing \uparrow	1/1	A0
	ABOVE 99mm	± 0.20	± 0.40	± 2.50	APPROVED:	PART NO:	FILE NO:		
	CENTER	± 0.10	± 0.50	± 1.00				ASR3030030	D-
	ANGLER	$\pm 0.25^\circ$	$\pm 0.50^\circ$	$\pm 2.00^\circ$					