

A

B

C

D

E

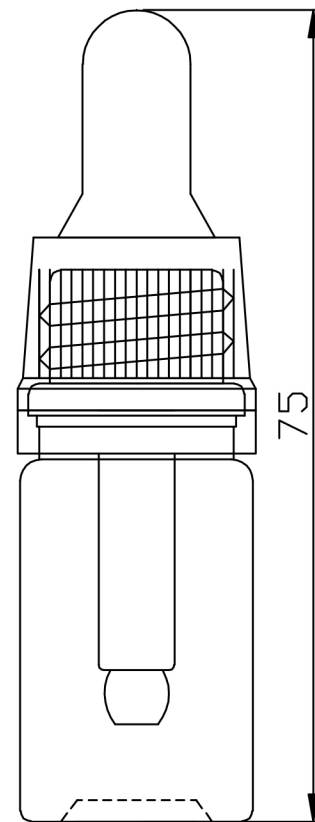
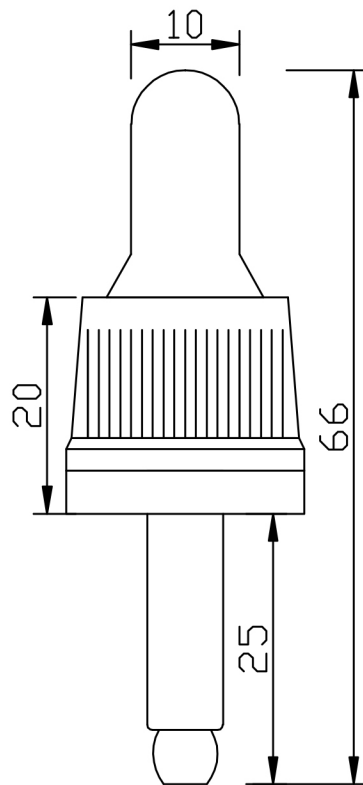
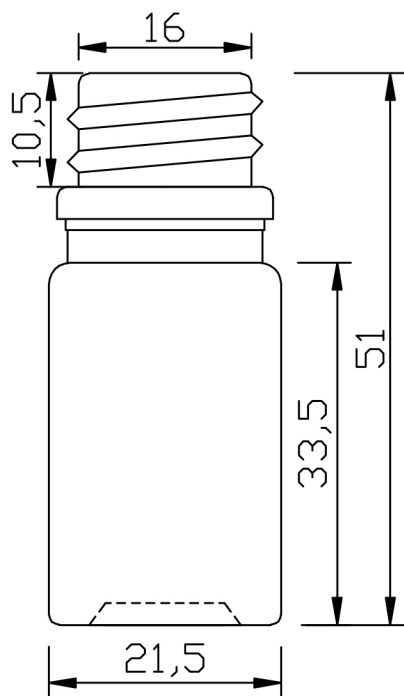
F

1

2

3

4



	SCALE	MATERIAL	PIECES	CONSTANT THICKNESS	DEFAULT RADIUS	DRAFT ANGLE	WEIGHT (Gram)	PAGE
		TREATMENT						
		FINISH						
		DESIGNER						
		DATE	CLIENT					
DENOMINATION							PART NUMBER	
PROJECT	DATE	FILE					REFERENCE	