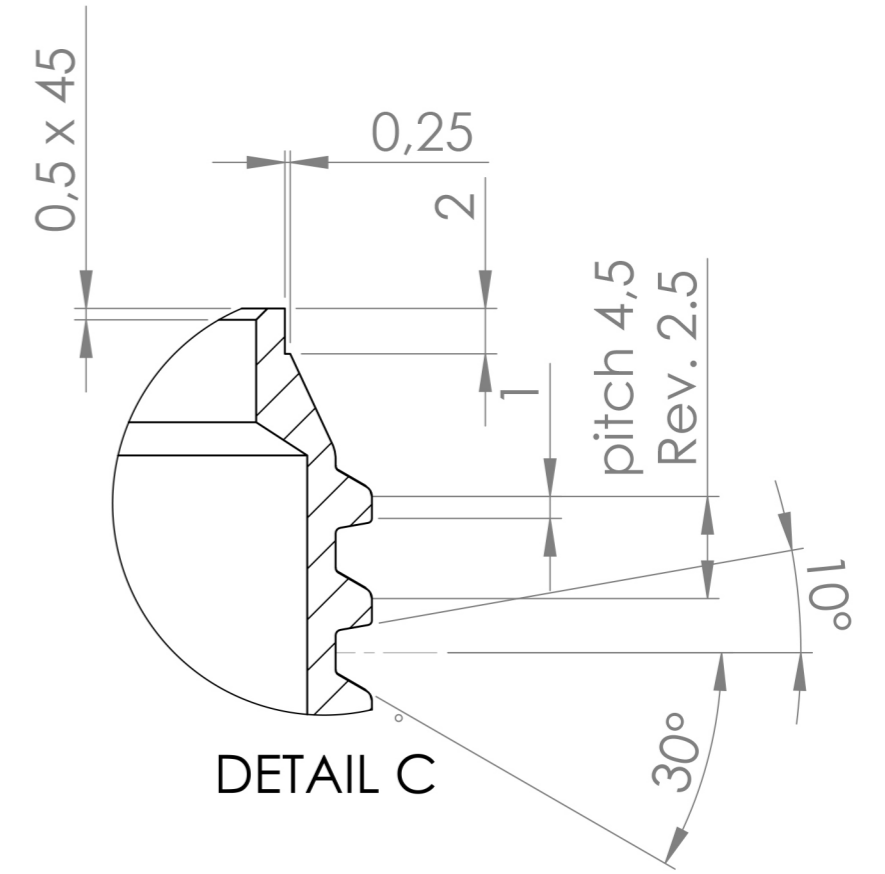


Calibrated
 $\phi 20,70 \pm 0,25$



FINISH:				DO NOT SCALE DRAWING		REVISION	
DRAWN: J.Veldhuis				DATE: 17-07-2015		TITLE: BDS Neck finish	
CHK'D:						DWG NO. 23352015	
APPV'D:						A3	
MFG:				MATERIAL: HDPE		SCALE: 1:2	
Q.A:				WEIGHT: 60 ± 3 gr.		SHEET 1 OF 1	