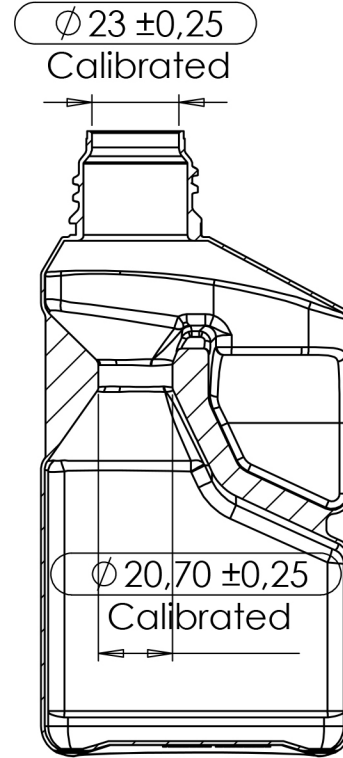
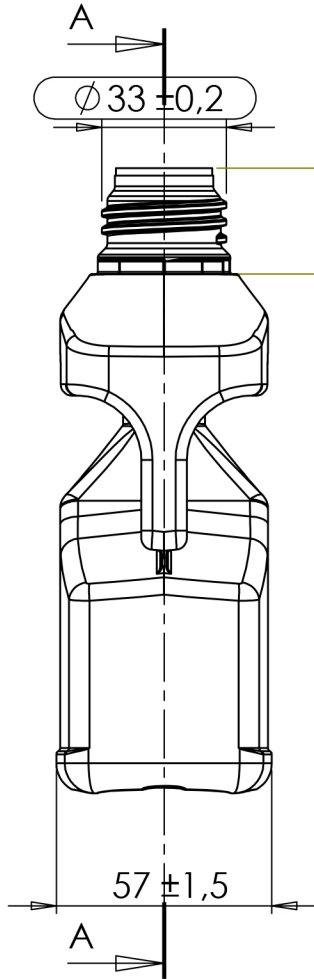
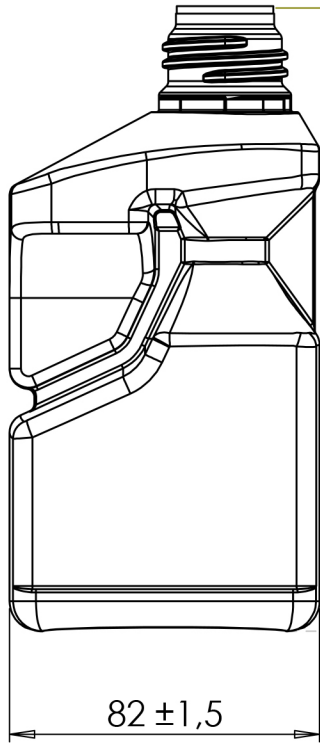
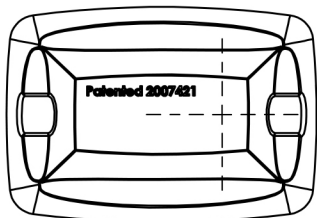


Material : HDPE  
 Weight : 37,0 +/- 2,5 gramms



SECTION A-A  
 SCALE 1 : 2

functionele maat



UNLESS OTHERWISE SPECIFIED:  
 DIMENSIONS ARE IN MILLIMETERS

TOLERANCES:

FINISH:

|       |        |           |      |           |
|-------|--------|-----------|------|-----------|
|       | NAME   | SIGNATURE | DATE | MATERIAL: |
| DRAWN | Debski | 17-10-11  |      |           |

|                                   |              |
|-----------------------------------|--------------|
| DO NOT SCALE DRAWING              | REVISION     |
| TITLE: <b>250mL Dosing bottle</b> |              |
| SCALE: 1:5                        | SHEET 1 OF 1 |

A4