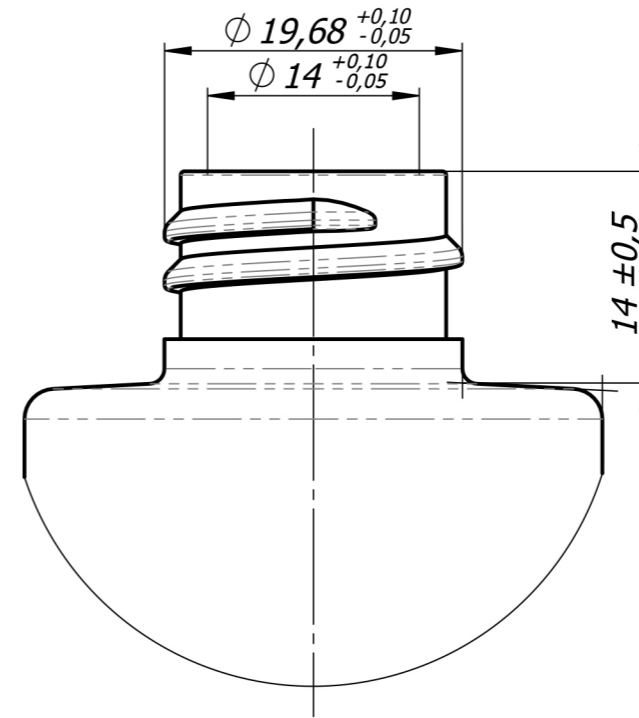
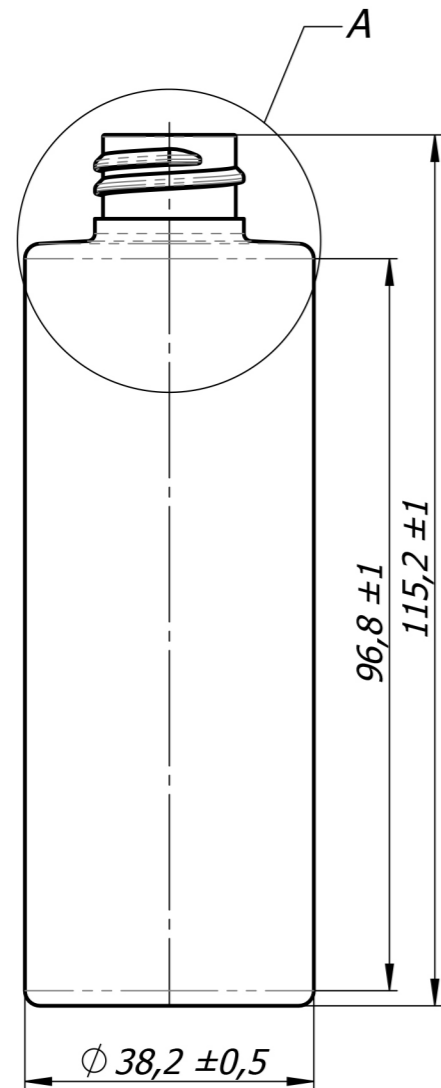
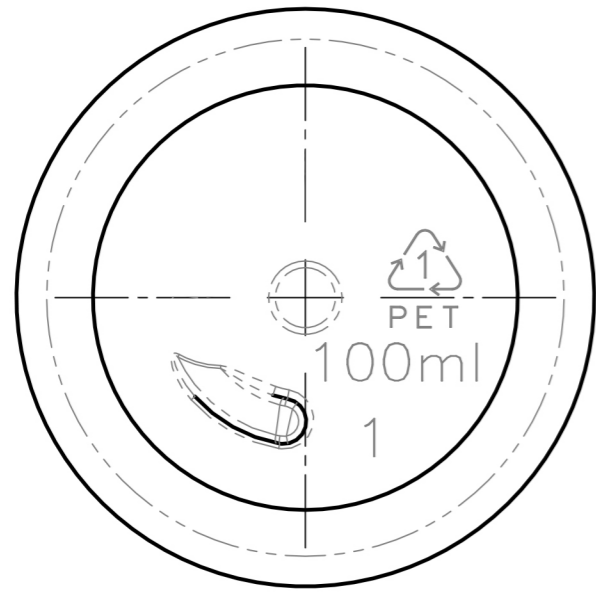
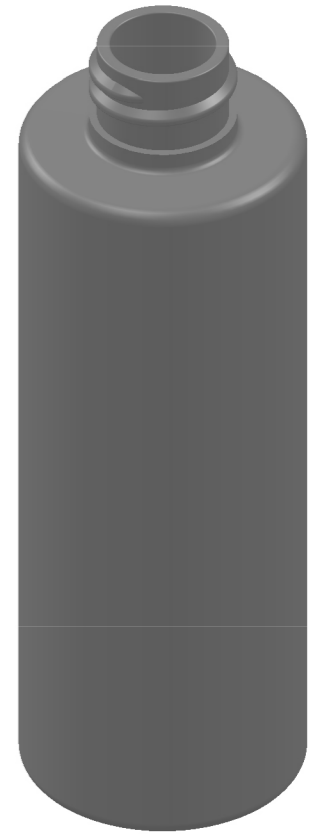


SCALE 2:1



DETAIL A  
SCALE 2 : 1



Uwaga:

Nietolerowane wymiary zależne od rozdmuchu.

Note:

Dimensions without tolerances depend on the blow parameters.

Content	100ml	Name	G.Zalejko	Date	11.01.2017	Revised by	D.Luch	Rev. no.	01.02	Rev. date	25.09.2020
Content (brimfull)	110±3 ml	Author	G.Zalejko	11.01.2017	D.Luch	01.02	25.09.2020				
Material	PET	Drawn by	G.Zalejko	11.01.2017	M.Trykacz	01.03	25.09.2020				
Weight	11±1g	Scale: 1:1	Size: A3			Drawing no. <b>B01.0100.015.02 01.03</b>					
Neck	20-410										
Cavity	6										