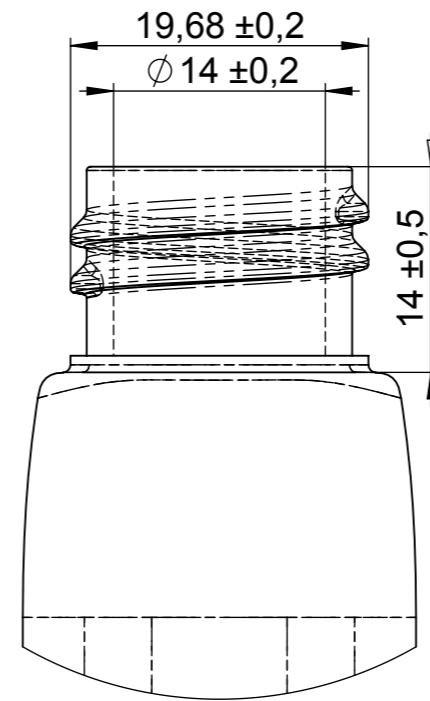
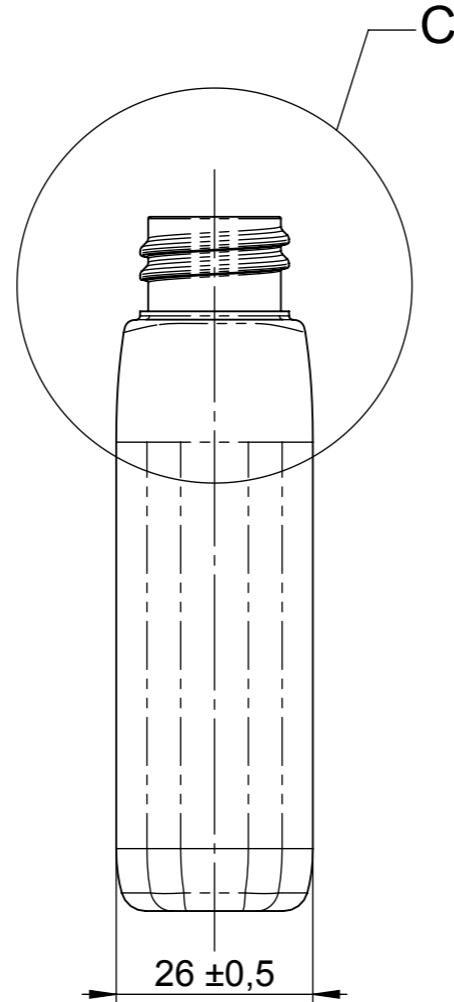
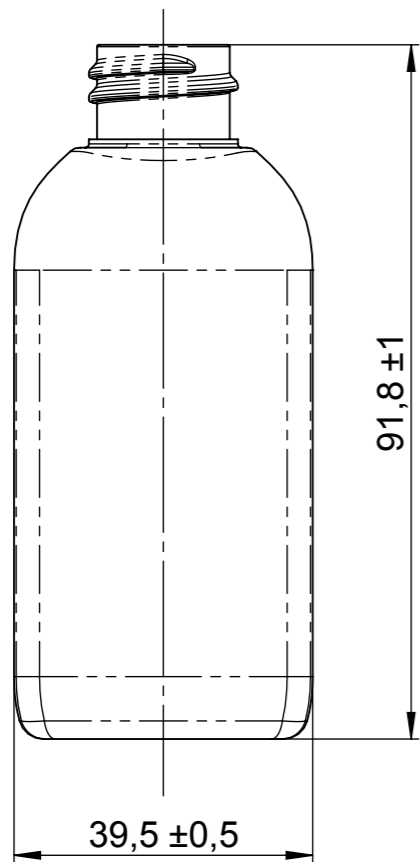


Pitch: $3,18 \pm 0,1$ mm
 Turns of thread: 1.5
 Start of thread: 1.85 ± 0.2



DETAIL C
 SCALE 2 : 1



Name: 106021			
Content	50 ml	Scale: 1:1	Size: A3
Content (brimful)	60ml ±3 ml	Author	D.Luch
Material	PET	Approved	Date: 18.08.2009
Weight	8 ± 1g		
Neck	20/410		
Thread	-		