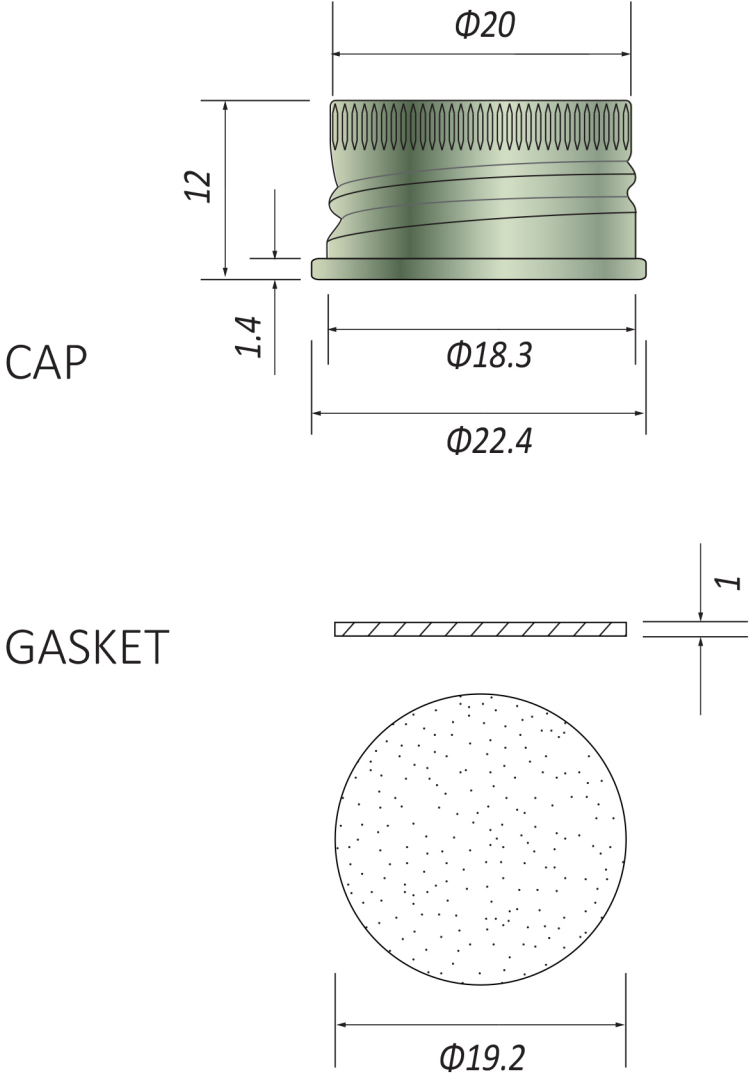


Alu thickness:0.22mm
Tolerance: ±0.15



	SCALE	MATERIAL		PIECES	CONSTANT THICKNESS	DEFAULT RADIUS	DRAFT ANGLE	WEIGHT (Gram)	PAGE 1/1
	2:1	TREATMENT							
		FINISH							
DESIGNER									
DATE 03-Sept-21				CLIENT					
DENOMINATION							PART NUMBER		
20/410 Aluminum cap									
PROJECT			DATE		FILE			REFERENCE	