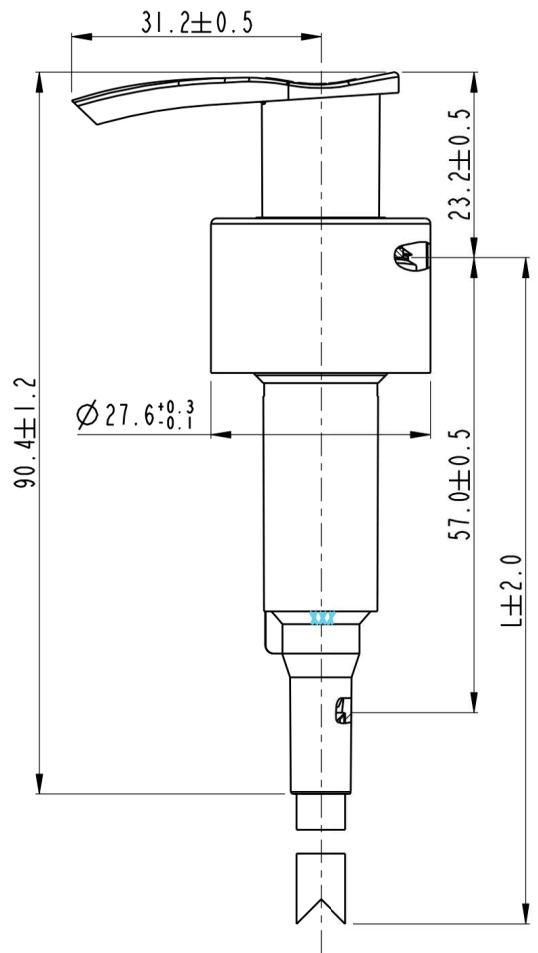
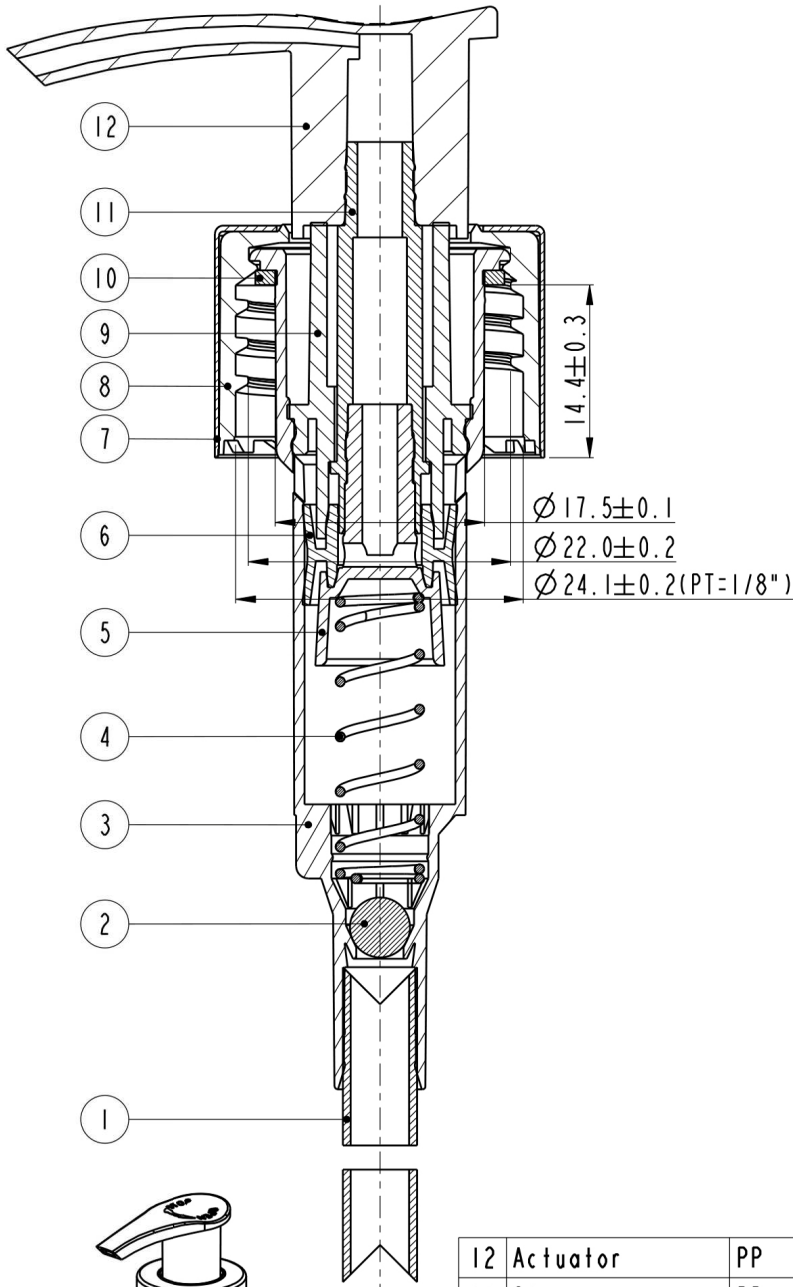


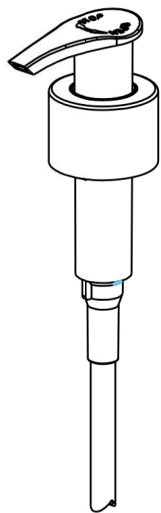
K

MARK	REVISER	DESCRITRN	DATE



Section A-A
Scale 1.000

Discharge Rate: 1.20-1.50ml/T



Scale 0.500

Section A-A

NO.	Component	Material	Specification	Part No.	QTY	Remark
12	Actuator	PP	Color for order form		1	
11	Stem	PP	Natural		1	
10	Gasket	PE	Ø20.8*1.2 thickness		1	
9	Switch	PP	Natural		1	
8	Closure	PP	Color for order form		1	
7	ALU.Closure	AL	Color for order form		1	
6	Piston	LDPE	Natural		1	
5	Needle	HDPE	Natural		1	
4	Spring	SUS304	ø0.78*ø7.4*31.5L*10.5 circle		1	
3	Housing	PP	Color for order form		1	
2	Ball	Glass	Ø5.0		1	
1	Dip Tube	LDPE	Ø6.20*0.65 thickness		1	

TOLERANCE	○	○	○
0mm-15mm	±0.05	±0.10	±0.50
15mm-30mm	±0.05	±0.15	±1.00
30mm-50mm	±0.10	±0.20	±1.50
50mm-99mm	±0.15	±0.30	±2.00
ABOVE 99mm	±0.20	±0.40	±2.50
CENTER	±0.10	±0.50	±1.00
ANGLER	±0.25°	±0.50°	±2.00°

DRAFTER:	UNIT: mm	
CHECKED:	MODEL NAME:	TITLE: 24-410(AL) Assemble
CENSOR:	SCALE: 1.5:1	VISUAL ANGLE: Q'TY: 1/1 REV: A0
APPROVED:	PART NO: 102047	FILE NO: D-