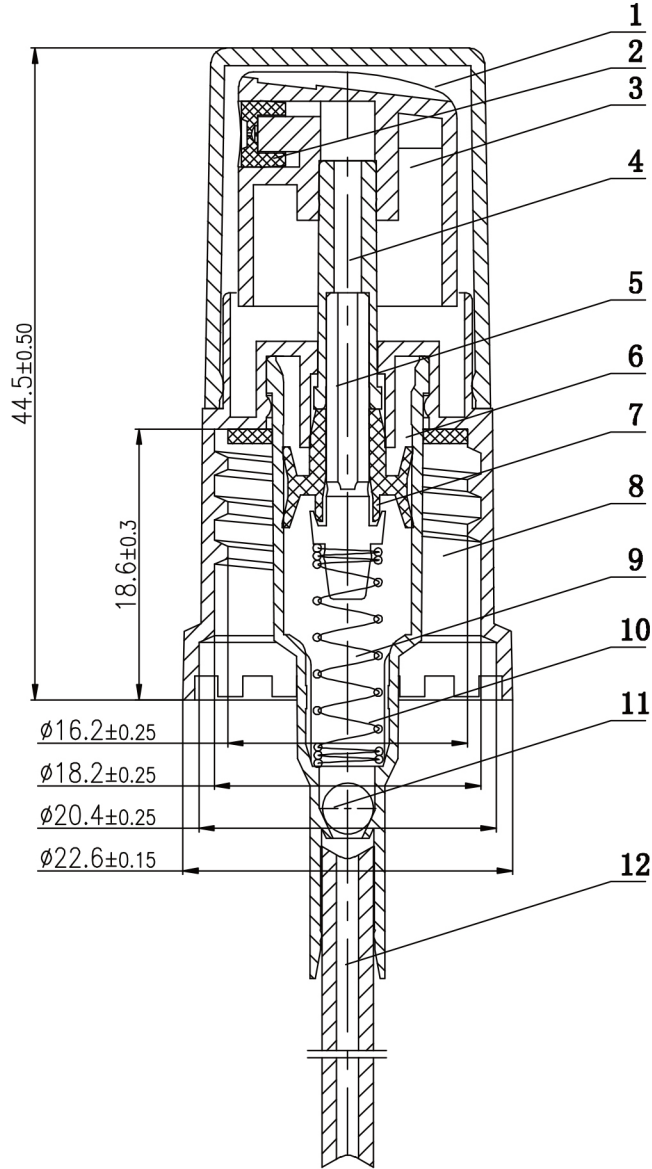


12	Dip tube	PE	1
11	Ball	GLASS	1
10	Housing	PP	1
9	Spring	304	1
8	Closure	PP	1
7	Lower piston	PE	1
6	Gasket	PE	1
5	Stem insert	POM	1
4	Up piston	POM	1
3	Actuator	PP	1
2	Nozzle	POM	1
1	Cap	PP	1
No	Name	Material	Qty



	SCALE	MATERIAL	PIECES	CONSTANT THICKNESS	DEFAULT RADIUS	DRAFT ANGLE	WEIGHT (Gram)	PAGE
		TREATMENT						
		FINISH						
		DESIGNER						
		DATE 31-Aug-21	CLIENT					
						PART NUMBER		
PROJECT		DATE	FILE			REFERENCE		