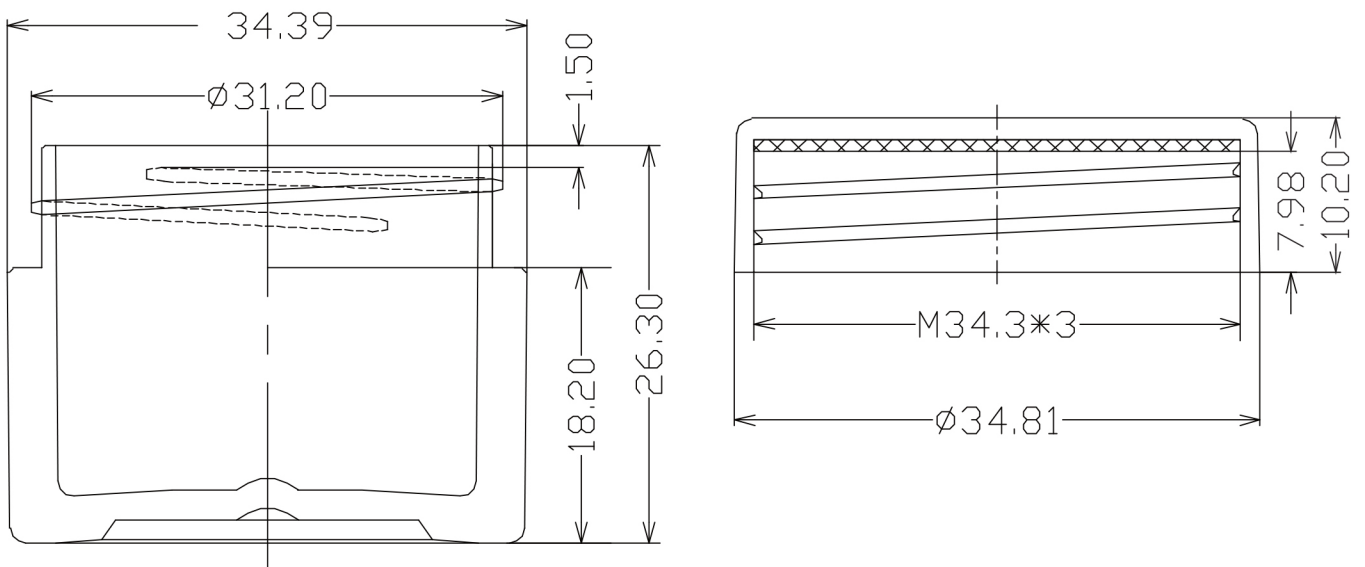


Tolerance: ±0.3



	SCALE	MATERIAL		PIECES	CONSTANT THICKNESS	DEFAULT RADIUS	DRAFT ANGLE	WEIGHT (Gram)	PAGE 1/1
	2:1	TREATMENT							
		FINISH							
DESIGNER									
DATE 23-Sept-22		CLIENT							
DENOMINATION							PART NUMBER		
107054 10ml PS jar with PP cap									
PROJECT	DATE	FILE	REFERENCE						