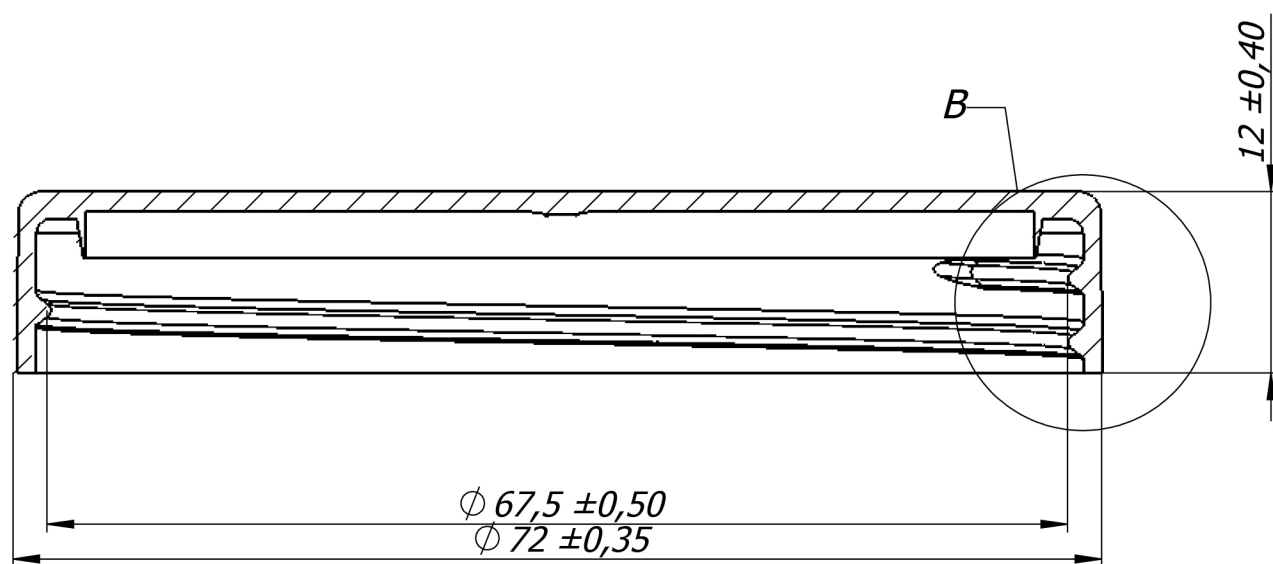
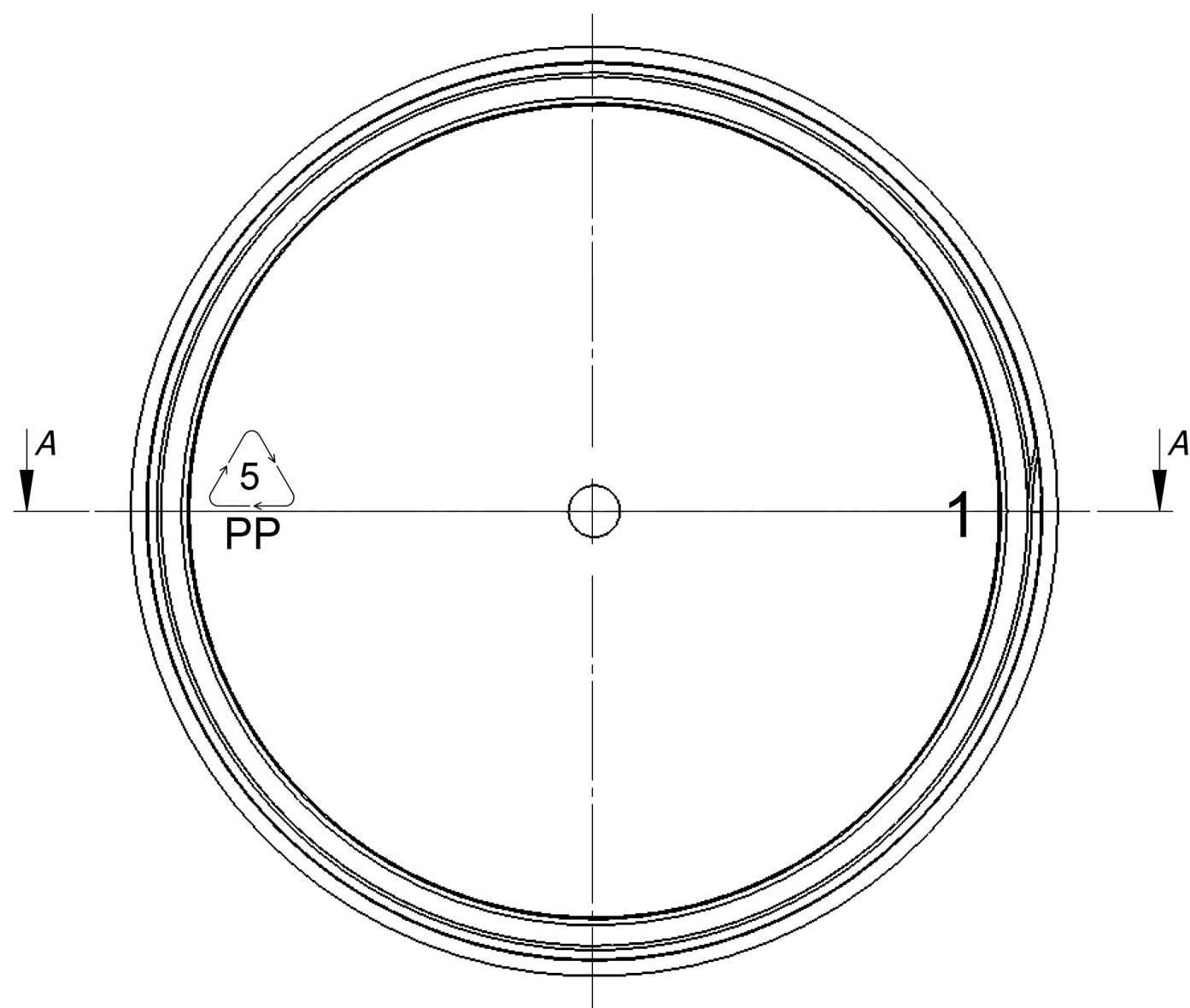
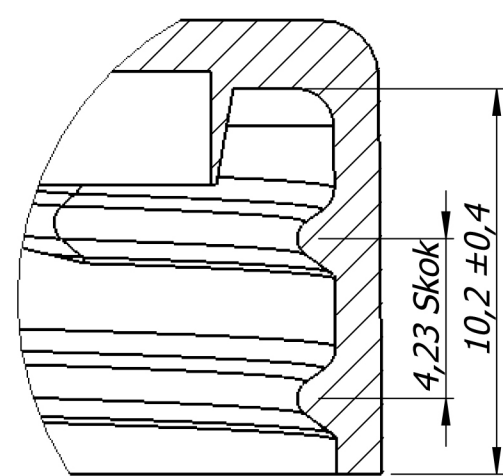


Name: P 593			
Content	100 ml	Scale: 2:1	Size: A3
Content (brimful)	136 ±4 ml	Author	D.Luch
Material	PET	Approved	Date: 21.09.2010
Weight	15 ±1g		
Neck	STC70-400		
Cavity	5		



PRZEKRÓJ A-A



SZCZEGÓŁ B
SKALA 5 : 1



Neck	STC 70-400		Name	Date	Revised by	Rev. no.	Rev. date
Material	PP	Author	D.Luch	26.07.2017	D.Luch	01.02	16.08.2017
Weight	7,6 ± 0,5g	Drawn by	D.Luch	26.07.2017	D.Luch	01.02	16.08.2017
		Scale: 2:1	Size: A3		Customer dwg no. AK-01 N		
					Drawing no. KAP.0011.003		