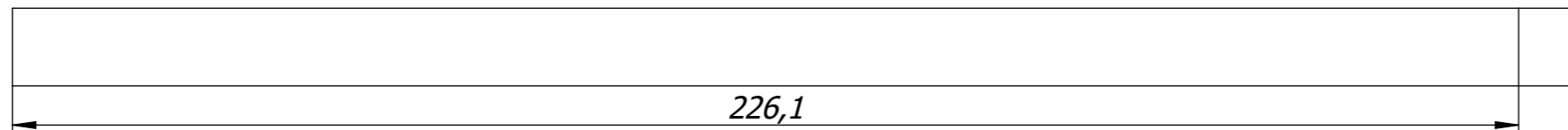
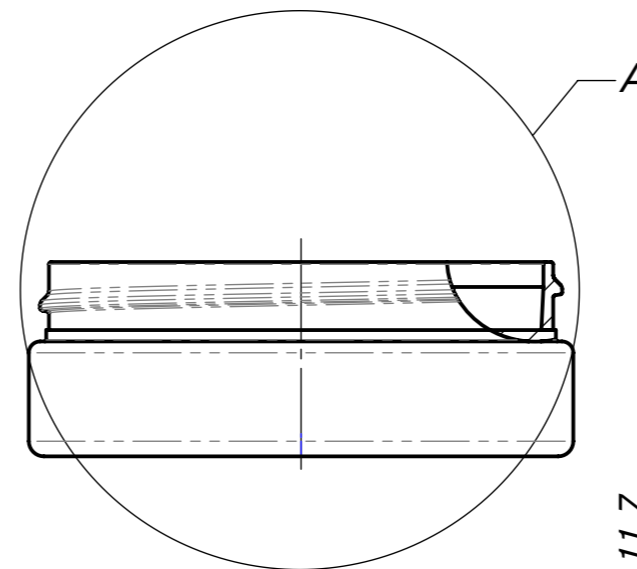
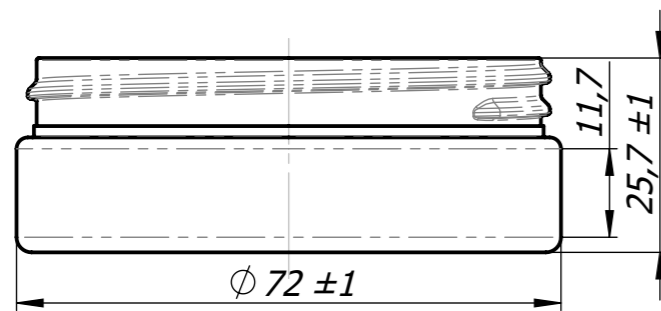


DETAIL A
DETAIL 2 : 1



Uwaga:
Nietolerowane wymiary zależne od rozdmuchu.
Note:
Dimensions without tolerances depend on the blow parameters.

Content	50ml	Name	D.Luch	Date	24.07.2019	Revised by	D.Luch	Rev. no.	01.01	Rev. date	25.07.2019
Content (brimfull)	85 ± 4 ml	Author	D.Luch	24.07.2019	D.Luch	01.03	07.05.2020				
Material	PET	Drawn by	D.Luch	24.07.2019							
Weight	15 ± 1g	Scale: 1:1	Size: A3			Customer dwg no. P-0591					
Neck	STC70-400					Drawing no. B01.0050.012.03 01.03					
Cavity	5										