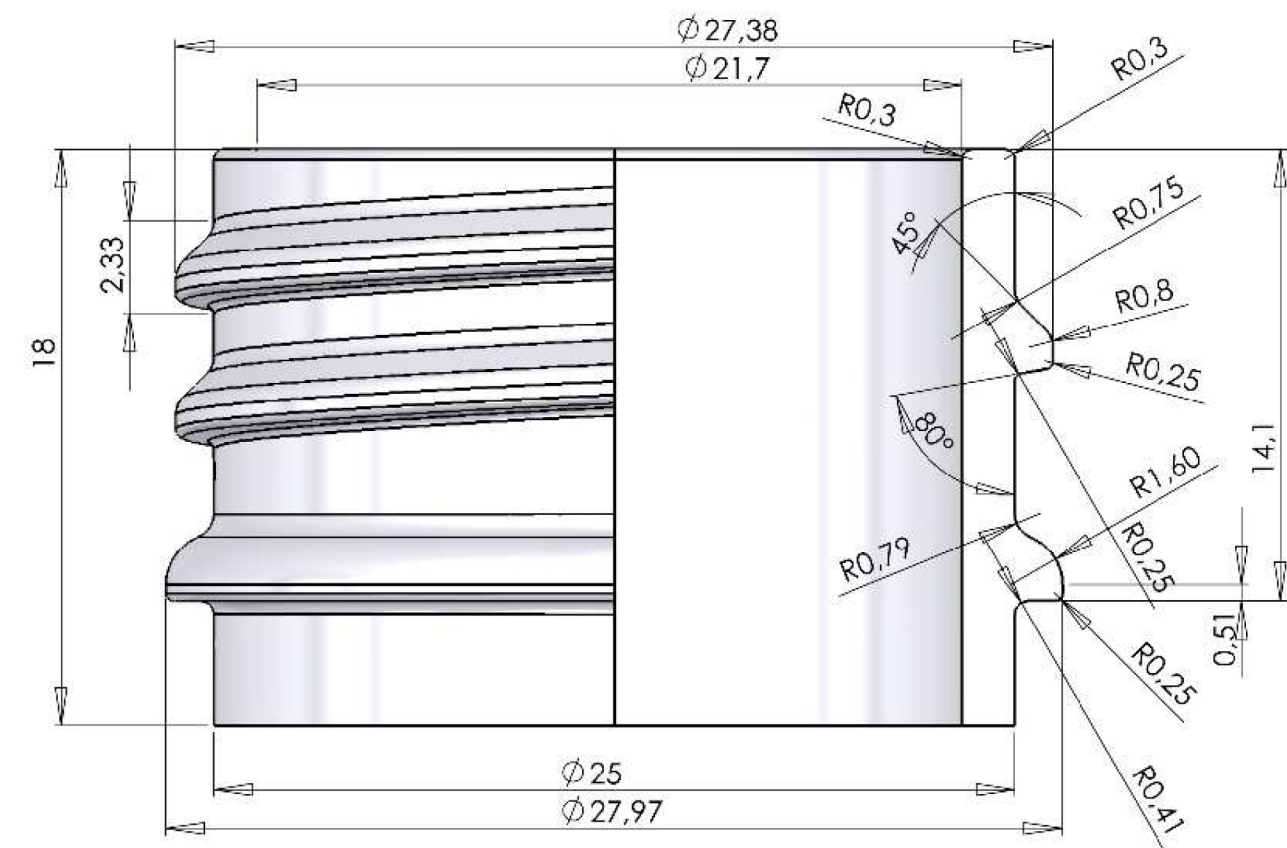
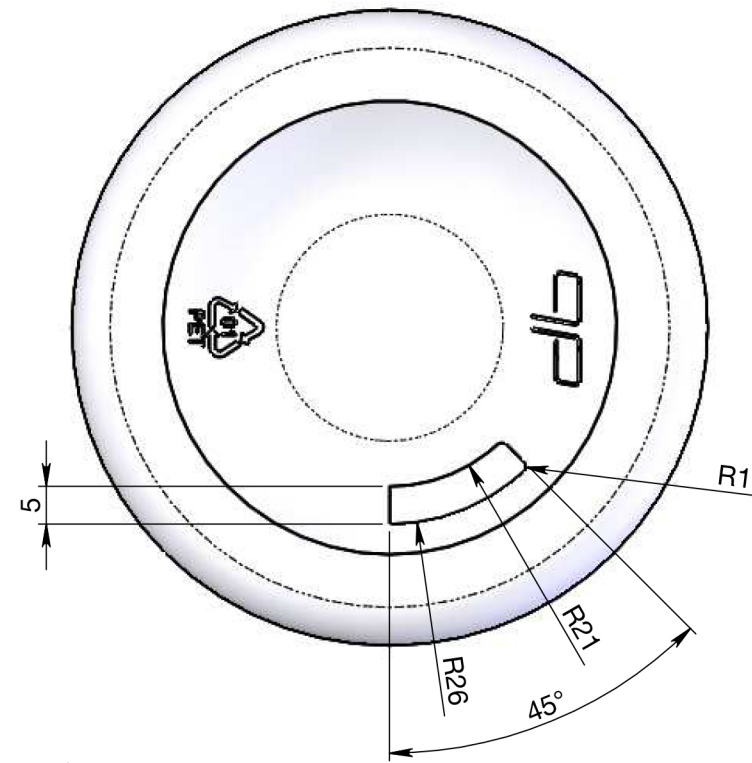
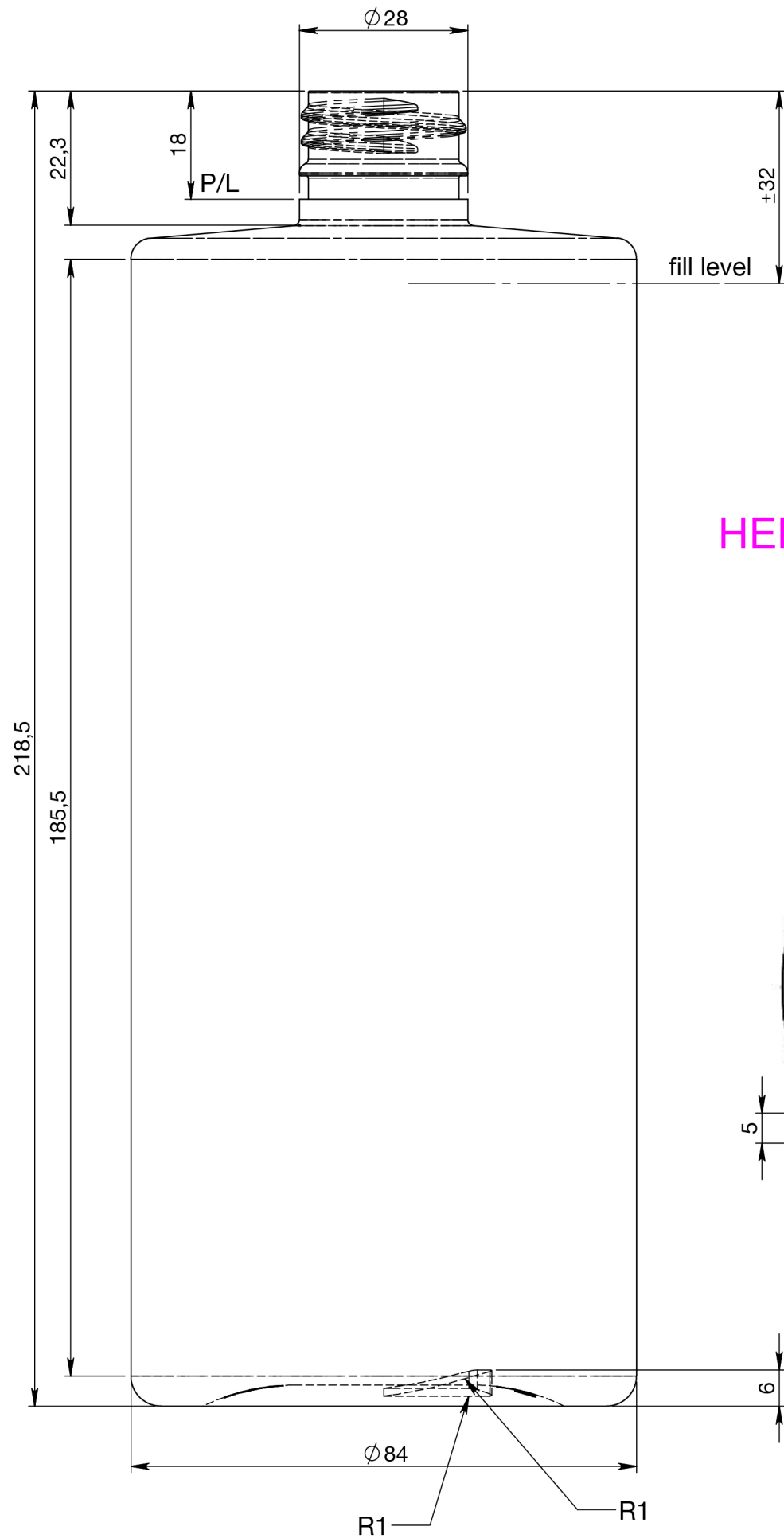


HENKEL DMS 194349



ART. NO.	4028-1000c0016	CUSTOMER	Standard	NOMINAL	1000 ml	FINAL SCALE (front view) 1:1 MATERIAL PET All dimensions are in mm This document in design and detail is the property of PET Power B.V. and is not to be used or reproduced by unauthorized persons.
DWG NAME	2017261A002	NECK FINISH	28 SP410 (H18)	BRIMFULL	1048 ml	
DATE	27-12-2017	DESIGNER	BM	WEIGHT	45 g (± 1.0)	
TITLE						

28 SP410 1000 ml Sharp Cylindrical V2

ISSUE	DATE	CHANGE / STATUS	APPROVED BY	TOLERANCES					
				Injection Moulded Dimensions		Blow Moulded Diameter		Product Height	
3.0	02-11-2018	Final	RvD	< 50 mm	± 0,2 mm	< 80 mm	± 0,3 mm	< 75 mm	± 0,3 mm
0.3	17-05-2018	Skibaan bematen	BM	50 upto 100 mm	± 0,3 mm	80 upto 150 mm	± 0,5 mm	75 upto 150 mm	± 0,4 mm
0.1	26-04-2018	Tentative	RvD	> 100 mm	± 0,5 mm	150 upto 200 mm	± 0,7 mm	151 upto 200 mm	± 0,5 mm
						> 200 mm	± 1,0 mm	201 upto 250 mm	± 0,7 mm
								> 250 mm	± 1,0 mm

Version: BD&T_2017

A3