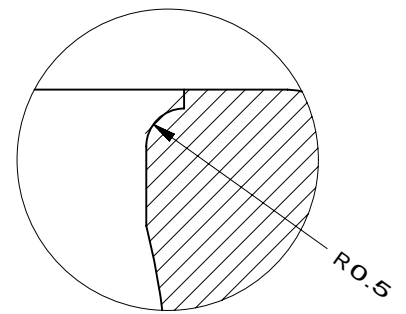
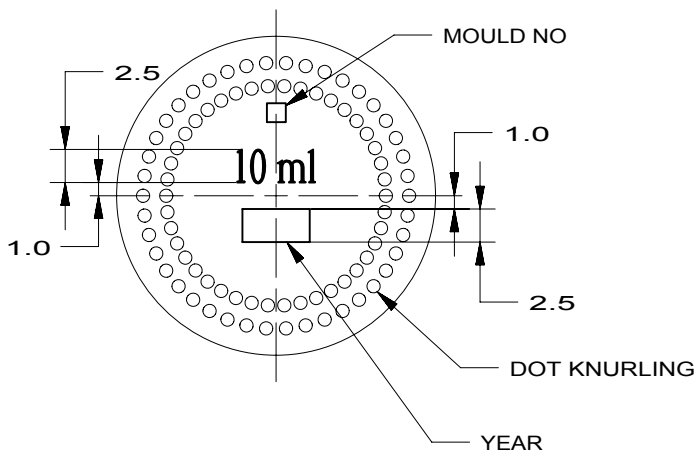


**FINISH DETAILS  
SCALE 3:1**



**DETAIL C  
10:1**

APPROVED :
CUSTOMER:
SIGN:
NAME:
DATE:

				WARE	10 ML PWG NEW						
				SCALE:	NOT TO SCALE	TYPE:	COLOUR:	PROD. CATG.:			
				ALL DIMS ARE IN MM, DO NOT SCALE DRAWING					III	AMBER	---
d	DETAILS "C" & HINTERBLASUNG SHOWN.	19/04/10	KGS	DES'D BY	DATE:	OVERFLOW CAPACITY (ml)	FILLING CAP. (ml)	WEIGHT (gm) APPROX	NECK FINISH		
c	L,T,E,F & H NEW ADDED.	06/01/10	KGS	BBJ	17/12/09	13 ± 1	---	30.5 ± 3	DIN 18		
b	LOGO AND DRG NO. CHANGE PGJ-B-A3-5347 WAS GGJ-B-A3-5347	18/12/09	BBJ								
a	SUPERSEDS FROM DRG NO 0010.1_e	17/12/09	BBJ	CHK'D BY	APP'D BY	DRG. NO.	PGJ-B-A3: 5347		REV. d		
REV.NO	REVISION	DATE	SIGN	GIGY	T.K.M						