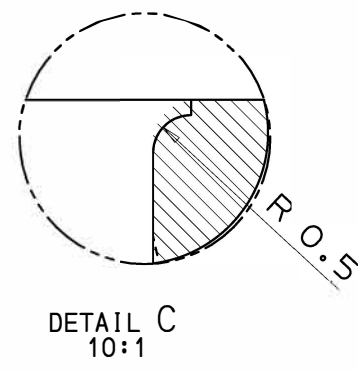
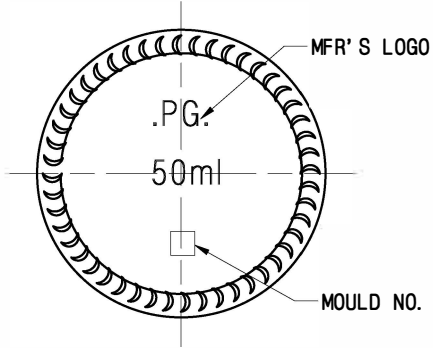


FINISH DETAILS
SCALE = 3:1



DETAIL C
10:1

APPROVED :
CUSTOMER:
SIGN:
NAME:
DATE:

WARE **50ml PWG NEW**

SCALE:	NOT TO SCALE	TYPE:	COLOUR:	PROD. CATG.:	
ALL DIM'S ARE IN MM, DO NOT SCALE DRAWING		III	AMBER	---	
DES'D BY	DATE:	OVERFLOW CAPACITY (ml)	FILLING CAP.(ml)	WEIGHT (gm)	NECK FINISH
DILIP	18/02/10	58 ± 3	----	63 ± 5	DIN-18
CHK'D BY	APP'D BY	DRG. NO.	PGJ-B-A3: 5383		REV. C
GIGY	TKM				

REV.NO.	REVISION	DATE	SIGN
c	.PG. WAS .GG.	26/03/13	SHREYAS
b	HINTERBLASUNG SHOWN.	19/04/10	KGS
a	DETAIL "C" ADDED	13/04/10	KGS