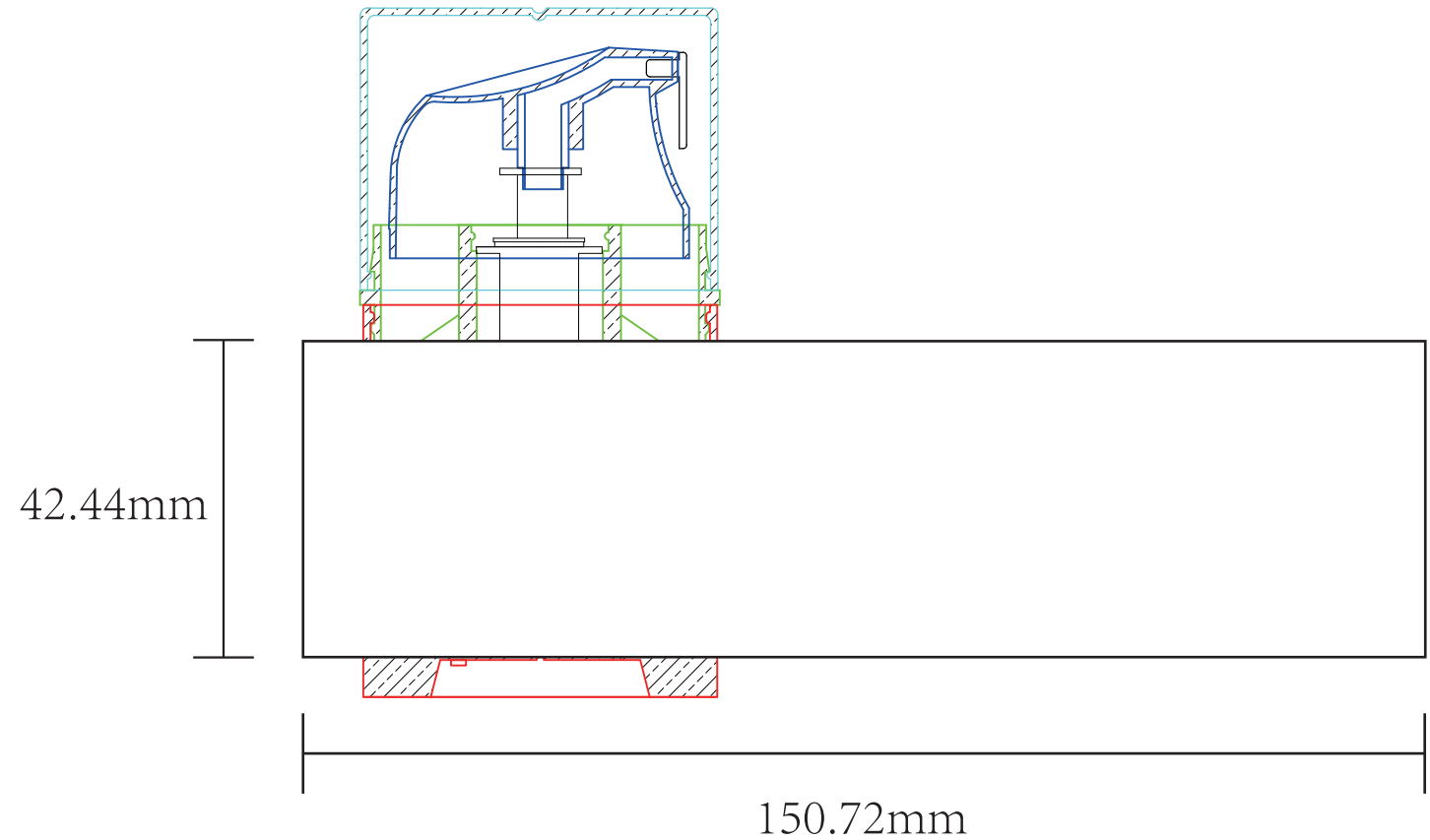
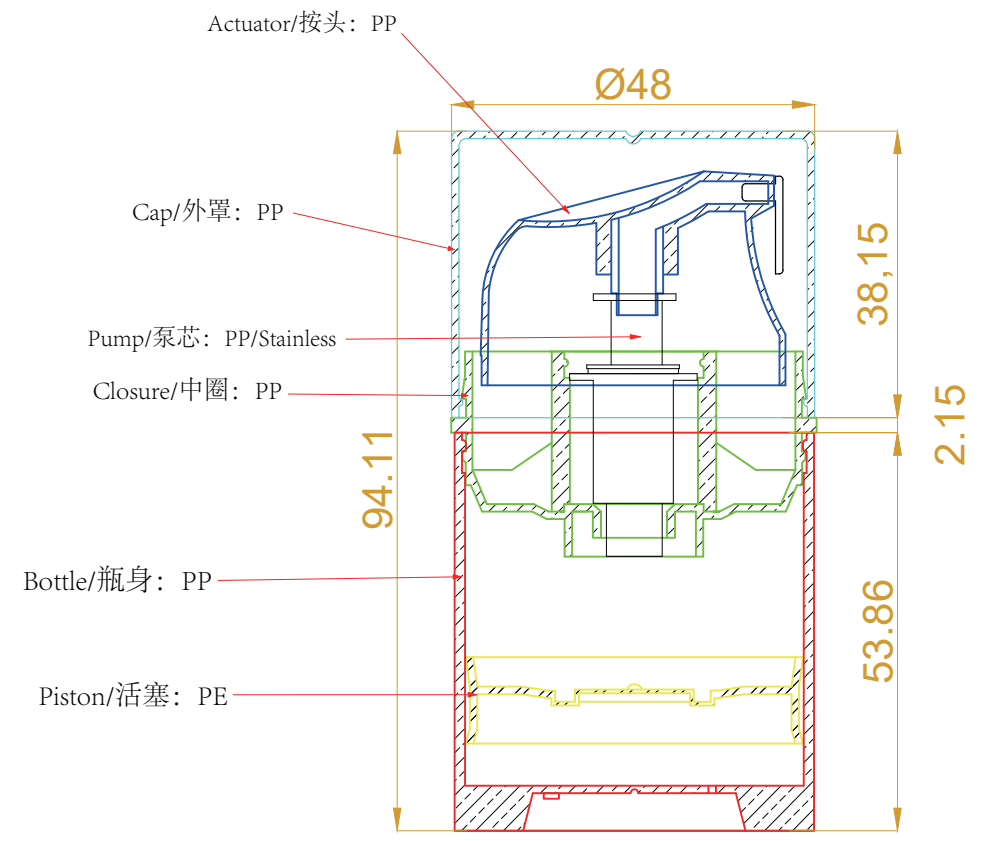


# SWC-BPA50-30



			Material		Scale/Unit
			Volume FL		/mm
Drawing	Zhou		Weight		Date
Check	Lee		Version No: V1		